

THE NEW GENERATION SHREDDER VB 750 DK LV



HAMMEL®
RECYCLINGTECHNIK



DRIVE*

| | |
|---------------|--------------------------------------|
| engine | 380 PS (280KW) CAT C9.3 - Stage 5 |
| max. torque | 240.000 Nm |
| engine speed | 1.900 rpm |
| fuel capacity | 470 l |

DISCHARGE BELT*

| | |
|------------------|----------------|
| discharge height | 4.600 mm (33°) |
| belt width in | 1.400 mm |

SHAFTS*

| | |
|----------------|-----------------|
| length | 2.000 mm |
| shaft diameter | 650 mm |

HOPPER*

| | |
|-----------------------|--|
| hopper volume | 8 m ³ |
| main & tilting hopper | Tilting hopper with feeding surface for long materials |

DIMENSIONS & WEIGHT*

| | |
|---------------------------|--------------------------------|
| working dimension (LxBxH) | 12 m x 2,5 m x 4,6 m |
| weight | 22,5 tmaschine + 1 t magnet |

MATERIAL

| | |
|--------|---|
| wood: | waste wood, railway sleeper, cable drums, pallets |
| waste: | domestic waste, bulky waste |
| metal: | aluminium profile |

*approx. values

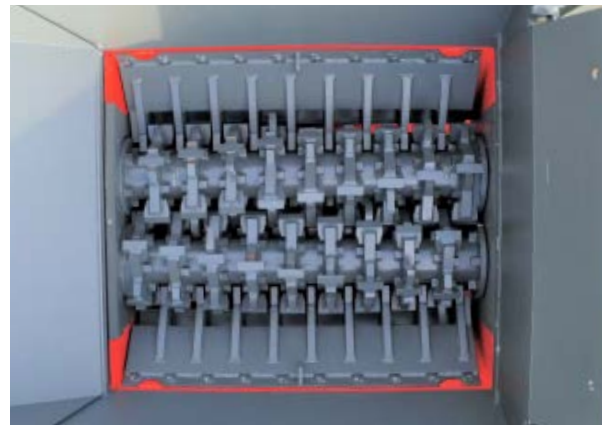
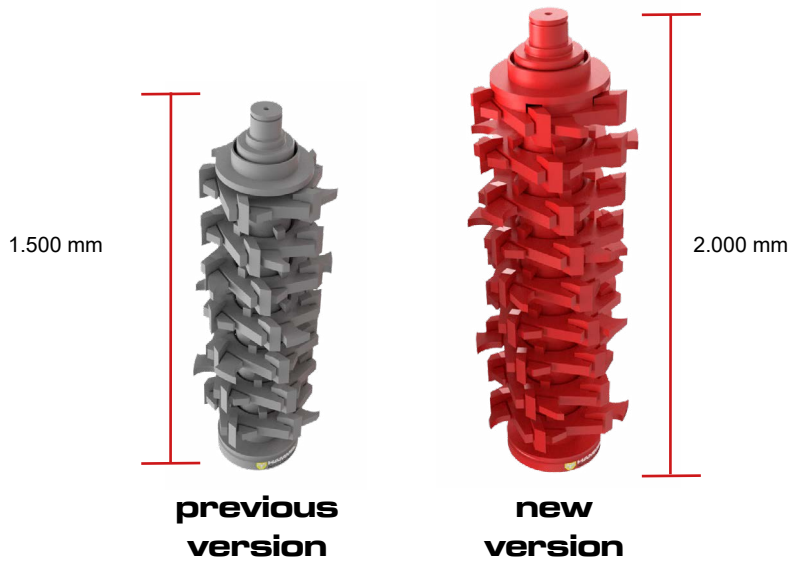




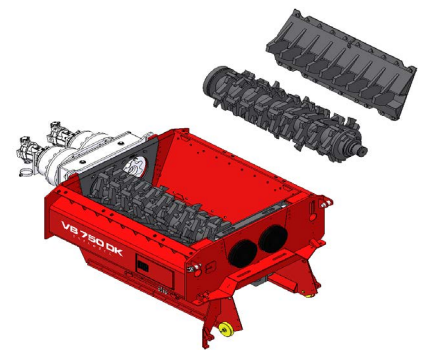
WHAT IS NEW ?

SHAFTS

- longer shredding shafts
- more efficiency through better feeding of long and large-volume material



2.000 mm



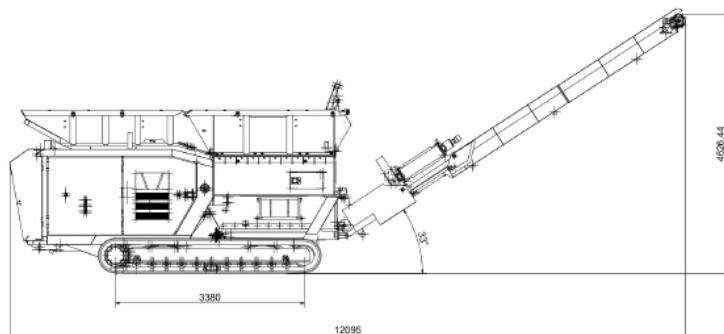
DISCHARGE BELT AND MAGNET

- magnet with a neodymium core
- improved metal separation due to optimized magnet position
- new designed discharge belt with higher magnet



ENGINE / HYDRAULIC

- Stage 5 latest emission standard (with exhaust after treatment system, DPF and Adblue tank)
- the last generation of hydraulics for optimized throughput and reliable operation



click [here](#) for video
VB 750 DK LV